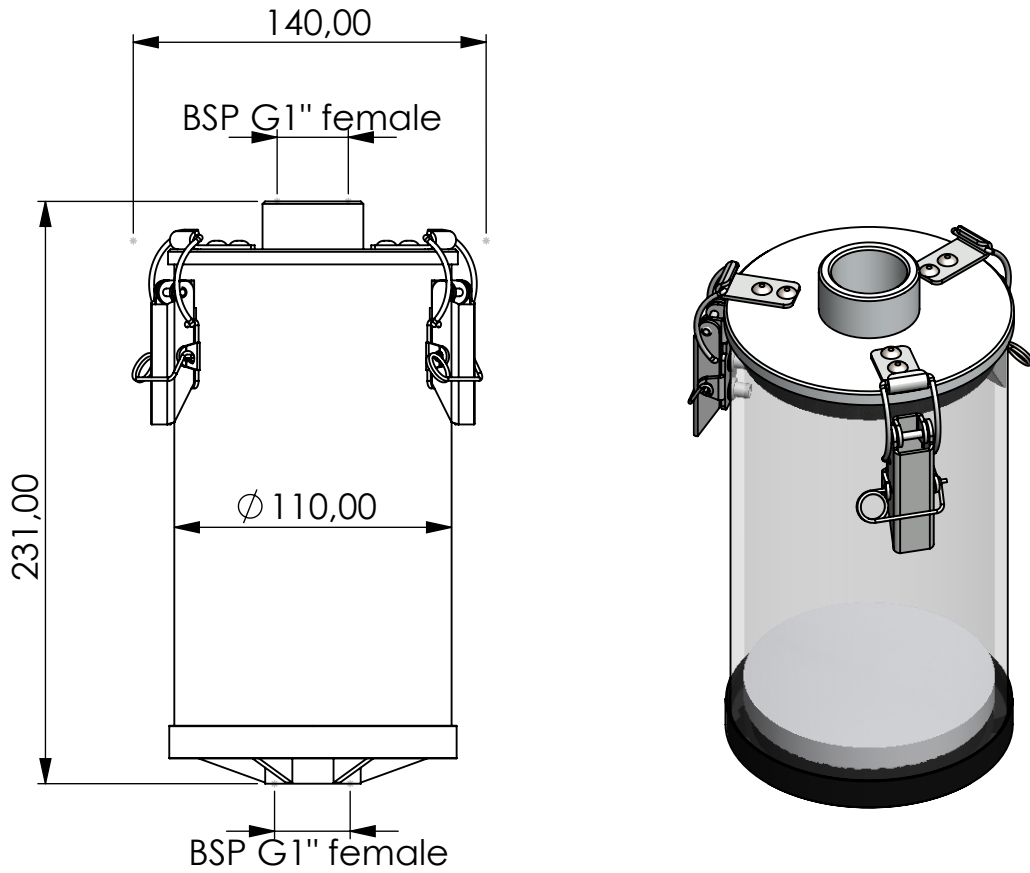


Adsorber Inline-Case PA



Product Code	VL	-	R	-	3M	-	F	-	V2	-	G1f	-	G1f
	Adsorber type Case		Refillable cartridge		Size		FKM seals		Fleece filter 2 micron		Connection for System BSP G1" female		Connection for System BSP G1" female

Dessicant	Filling weight [kg]
GIEBEL Xdry	1.0
Active carbon	0.7
Molecular Sieve	1.0

Housing materials: PA6, PC, AL

Total weight (kg): 0.865

NAME:

Adsorber Inline-Case PA G1" f
VL-R_3L_F_V2_G1f_G1f

Article no.:
12.0005.00

Status freigabe	Format A4
Maßstab 1:3	Blatt / von 1 / 1



GIEBEL Adsorber®
 ...setting standards in aeration drying!

GIEBEL FilTec GmbH
 www.giebel-adsorber.com
 info@gf-dry.com