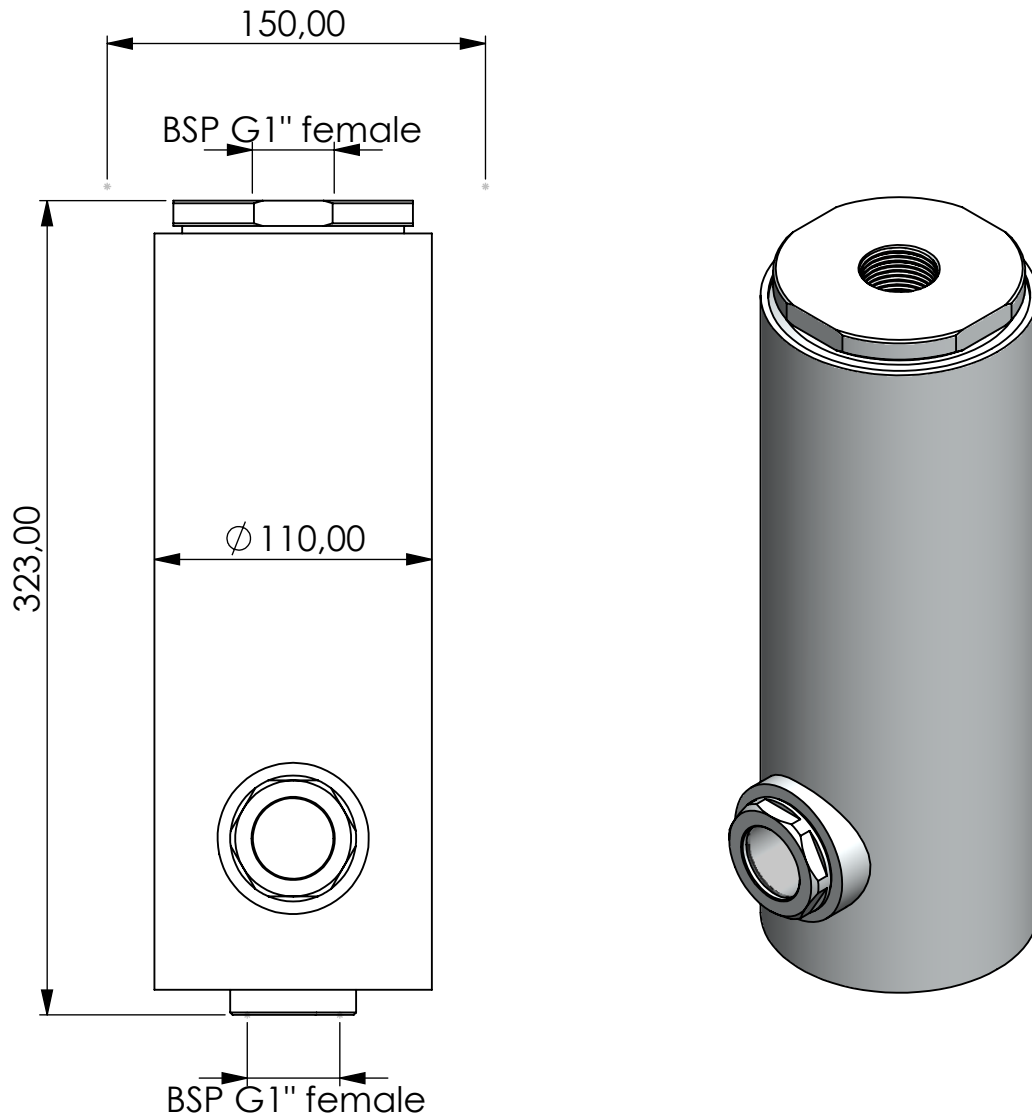


Adsorber Inline-Case AL



Product Code	PL	-	R	-	3L	-	F	-	V2	-	G1f	-	G1f
	Adsorber type Case		Refillable cartridge		Size		FKM seals		Fleece filter 2 micron		Connection for System BSP G1\" female		Connection for System BSP G1\" female

Dessicant	Filling weight [kg]
Silicagel	1.9
Active carbon	1.2
Molecular Sieve	1.7

Housing materials: Aluminum	
Total weight (kg): 1.8	
NAME: Adsorber Inline-Case AL 10bar G1\"f PL-R_3L_F_V2_G1f_G1f	
Article no.:	Status freigabe
12.0010.80	Format A4
	Blatt / von
	1 / 1

rev.	Date	Name
	13.06.2022	Daniel Zinic

GIEBEL FilTec GmbH
www.giebel-adsorber.de
info@giebel-adsorber.de